

JULY

1

2

3

4

JULY



ORI STRUTS



Revision 20240701

CONTENTS

Item	Page
STX Struts	3
STX Struts with Integral Reservoir	4
STX Struts with Remote Reservoir	5
Fittings	6
Piggyback Reservoir	7
Polaris RZR XP1000 Struts	8
Level-It Pneumatic Sway Assist	9
Rock Guards	10
Fill Kits—Misalignment Spacers—Gauges	11
EZ-Fill Kit	12
Nitrogen Regulator & Coupling	13
Fill Valve Hose Extension	14
Field Service Kit	15
Upgrade & Repair Kits	16
STX Lower Mount Rebound Assembly	17
Tools	18
Strut & Reservoir Parts	20
Promotional Items	29



Customer Pricing Off-Road Innovations, Inc.

Prices Effective July 1, 2024

- * All prices subject to change.
- * Black and Clear are Standard Strut Colors. Limited stock of Red and Blue parts for service and repair orders.

Phone: (770) 258-1554

Fax: (770) 258-1555



STX Strut			
3.25" (82.6 mm) Outside Diameter			
Misalignment Spacers Sold Separately			
Stroke	Extended Length	List	
8"	22.6"	\$1140.00	
10"	26.6"	\$1195.00	
12"	30.6"	\$1250.00	
14"	34.6"	\$1305.00	
16"	38.6"	\$1360.00	
18"	42.6"	\$1415.00	
20"	46.6"	\$1470.00	

Specify Color, Black or Clear, and Bolt Size 1/2" or 5/8".

Integral Reservoir

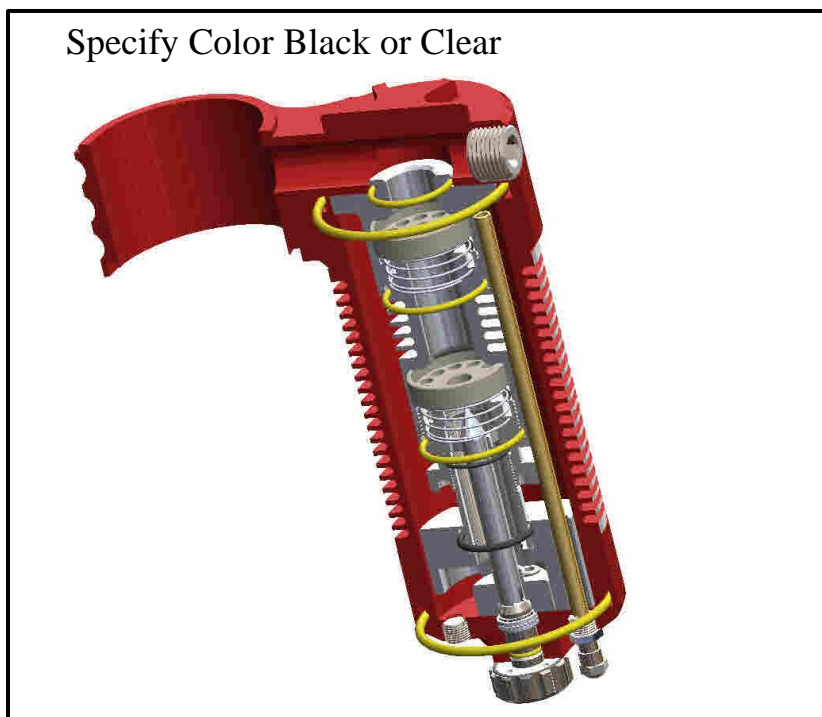
STX Strut with Integral Reservoir



(Prices if Purchased with Strut)

Part Number	Stroke	List	
STX-08-IR	8"	\$1745	
STX-10-IR	10"	\$1800	
STX-12-IR	12"	\$1855	
STX-14-IR	14"	\$1910	
STX-16-IR	16"	\$1965	
STX-18-IR	18"	\$2020	
STX-20-IR	20"	\$2075	

Integral Reservoir Kit (Oil Sold Separately)



(Reservoir Kit Only—Ships Assembled)

Part Number	Stroke	List	
PA-225B-IR	8"	\$790	
PA-225C-IR	10"	\$815	
PA-225D-IR	12"	\$840	
PA-225E-IR	14"	\$865	
PA-225F-IR	16"	\$890	
PA-225G-IR	18"	\$915	
PA-225H-IR	20"	\$940	

\$110.00 labor plus shipping if sent to factory to install reservoir kit to any STX model strut.
PN for Labor: FS-006

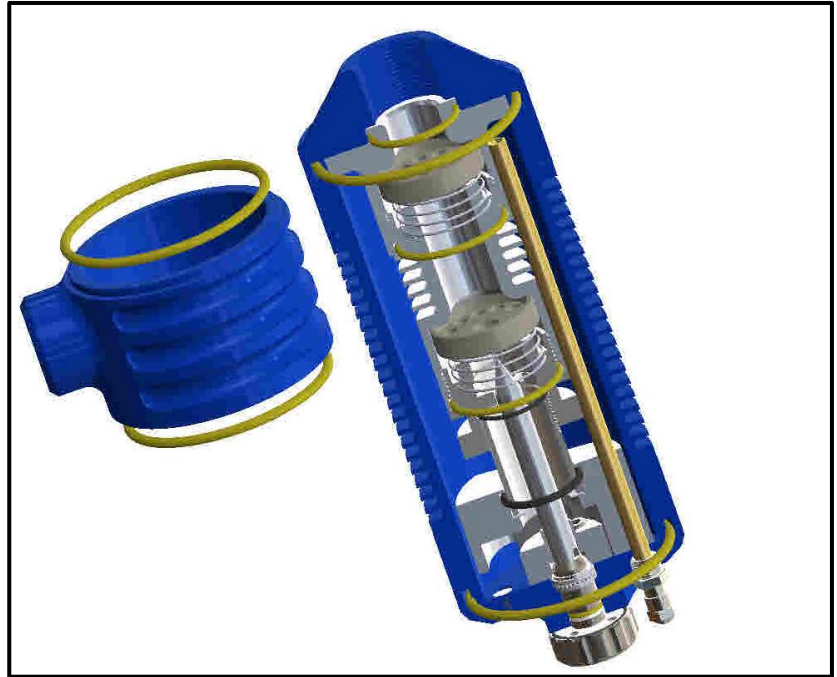
Remote Reservoir

STX Strut with Remote Reservoir (Hoses, Fittings, Oil Sold Separately)



Specify Color, Hose Length,
and Bolt Size 1/2" or 5/8"

Remote Reservoir Kit (Hoses, Fittings, Oil Sold Separately)



Specify Color Black or Clear and Hose Length

(Prices if Purchased with Strut)

Part Number	Stroke	List	
STX-08-RR	8"	\$1745	
STX-10-RR	10"	\$1800	
STX-12-RR	12"	\$1855	
STX-14-RR	14"	\$1910	
STX-16-RR	16"	\$1965	
STX-18-RR	18"	\$2020	
STX-20-RR	20"	\$2075	

(Reservoir Kit Only—Ships Assembled)

Part Number	Stroke	List	
PA-225B-RR	8"	\$790	
PA-225C-RR	10"	\$815	
PA-225D-RR	12"	\$840	
PA-225E-RR	14"	\$865	
PA-225F-RR	16"	\$890	
PA-225G-RR	18"	\$915	
PA-225H-RR	20"	\$940	

PN	Description	List	
PC-278	3/4 NPT Straight Swivel	\$12.40	
PC-279	3/4 NPT 45° Swivel	\$26.95	
PC-280	3/4 NPT 90° Swivel	\$24.50	
PC-281	3/4 NPT x 3/4 NPT Nipple	\$9.40	
PC-282	3/4" Hydraulic Hose Minimum Allowed Bend Radius = 3.8" [97 mm]	\$4.90/in	

Mount struts and reservoirs, then consult with factory for hose length and fittings needed (non-refundable).

\$110.00 labor plus shipping if sent to factory to install reservoir kit to any STX model strut.

Remote Reservoir Fittings

1. *Tapered pipe thread ends (NPT) require Teflon tape or 10,000 psi paste.*
2. *Swivel ends will seal to NPT ends metal-to-metal without tape or paste (JIC-style joint).*



**3/4 NPT x NPSM Straight Pipe
with Swivel**
PC-278
\$12.40 List Each



**3/4 NPT x NPSM 45° Pipe
with Swivel**
PC-279
\$26.95 List Each



**3/4 NPT x NPSM 90° Pipe
with Swivel**
PC-280
\$24.50 List Each



3/4 NPT x 3/4 NPT Pipe Nipple
PC-281
\$9.40 List Each

Piggyback Reservoir

Specify Color
Black or Clear



Includes: Reservoir, Mounting Bracket, Pinch Bolt, 10" Black Thermoplastic Hose with Swivel End Fittings, 2 x 90° Elbow Fittings.

List

Piggyback Kit: PA-003-10 (10" Hose)	\$205.00
-------------------------------------	----------

Separate Items

List

10" Black Thermoplastic Hose	PF-210	\$49.50
Reservoir Cylinder with Cap	PA-003A	\$97.00
90° Elbow 1/8 NPT x JIC-04	PC-213	\$5.90
Schrader Valve Assy.	PC-008	\$6.05
Mounting Bracket with Screw	PA-003C	\$44.00

Polaris RZR XP1000 Struts



Strut for Polaris RZR XP1000

3.25" (82.6 mm) Outside Diameter

Misalignment Spacers Sold Separately

Item	Extended Length	List	
STX-XP1K-FRONT	24.6"	\$1745.00	
STX-XP1K-REAR	33.3"	\$1800.00	
Heat Shield	PA-228	\$62.00	
Spacers Rear 12mm	PF-237	\$4.60	
Spacers Front 10mm	PF-238	\$4.60	

Specify Color Black or Clear,
and Bolt Size 10mm or 12mm

LEVEL-IT

Pneumatic Sway Assist®



PF-331
(2) 60" Hoses



Level-It Pneumatic Sway Assist			
3.0" (76.2 mm) Dia. X 15.0" (381.0 mm) Long			
Includes All Hoses, Clamps, Fittings Shown			
One Level-It Kit Fits to Either Front or Rear			
Item	Clamps to Frame Tube Sizes	List	
PA-235	1", 1-1/2", 1-3/4", 2"	\$1095.00	

PC-349
JIC Fittings



PC-213
90° Elbow Fittings



PC-328
T-Fittings



PC-319 & PC-327
Mounting Screws & Washers



PC-008
Schrader Valves

PC-318
Swivel Mounting Brackets
Clamp to Straight or X-Bars,
1", 1-1/2", 1-3/4", 2"



Stability . . . bank on it!

- Activates to increase spring rate on load side in hard turns and on 4⁰⁺ side-hills.
- Reactively stiffens load side instantly only when and where needed to reduce body roll.
- No electrical or external inputs or outputs.
- Helps improve ride over choppy surfaces.
- True 4-wheel independence for improved high-speed straight-line tracking over rugged, uneven terrain.
- Stability approaches that of a sway bar without the undesirable rigidity.
- Install along with or without existing reservoirs (less effective with external reservoir).
- Attaches to gas shocks or struts with a Schrader gas valve fitting port.
- Can install along with or without sway bar.



Rock Guard for Piston Shaft

Rock Guard Kit

Installs to lower mount to protect piston shaft and Schrader valve.

Total Length: 11-1/2"

Fits: 8" to 20" Struts with or without reservoirs.

Color: Silver

PA-232

\$43.95 List Each



Fill Kits – Gauges – Spacers



1/2" High Misalignment Spacer

For 1/2" Bolt
 Fits into 5/8" Spherical Bearing
 PF-075 1.60" Mounting Width
 (Std.)
 PF-218 1.50" Mounting Width
 \$4.60 List Each
 (Bearing Not Included)



5/8" Misalignment Spacer

For 5/8" Bolt
 Fits into 5/8" Spherical Bearing
 PF-076 1.60" Mounting Width
 PF-306 1.50" Mounting Width
 \$4.60 List Each
 (Bearing Not Included)



Vent Valve Upgrade for Fill Kit

3000 psi Rating
 PC-312
 \$34.95 List Each



10mm Misalignment Spacer RZR-XP1K Front

For 10mm Bolt – 30mm Mounting Width
 Fits into 5/8" Spherical Bearing
 PF-238 (bearing not included)
 \$4.60 List Each



12mm Misalignment Spacer RZR-XP1K Rear

For 12mm Bolt – 30mm Mounting Width
 Fits into 5/8" Spherical Bearing
 PF-237 (bearing not included)
 \$4.60 List Each



Short Connection

With 12" Stainless Hose

Pressure Gauge Short Connection

600psi Gauge
 PA-163A
 \$98.50 List
 Shipping Wt.: 1 lb.

Pressure Gauge With 12" SS Hose

600psi Gauge
 PA-163B
 \$120.00 List
 Shipping Wt.: 1 lb.



**Safety
 Pressure
 Vent
 Manifold**

Single-Fill Nitrogen Fill Kit

PA-195B (600psi Gauge)
 \$264.00 List

PA-195C (1000psi Gauge)
 \$297.00 List
 Shipping Wt.: 2 lbs.

Dual-Fill Nitrogen Fill Kit

PA-162B (600psi Gauge)
 \$424.00 List

PA-162C (1000psi Gauge)
 \$457.00 List
 Shipping Wt.: 5 lbs.

EZ-Fill Kit

*Quickly and easily add or remove shock oil
through the Schrader valve—no mess!*

PA-234

\$39.95 List

Shipping Wt.: 1 lb.



- *Add oil for stiffer spring rate.*
- *Remove oil for softer spring rate.*

Nitrogen Regulator & Quick-Change Coupler

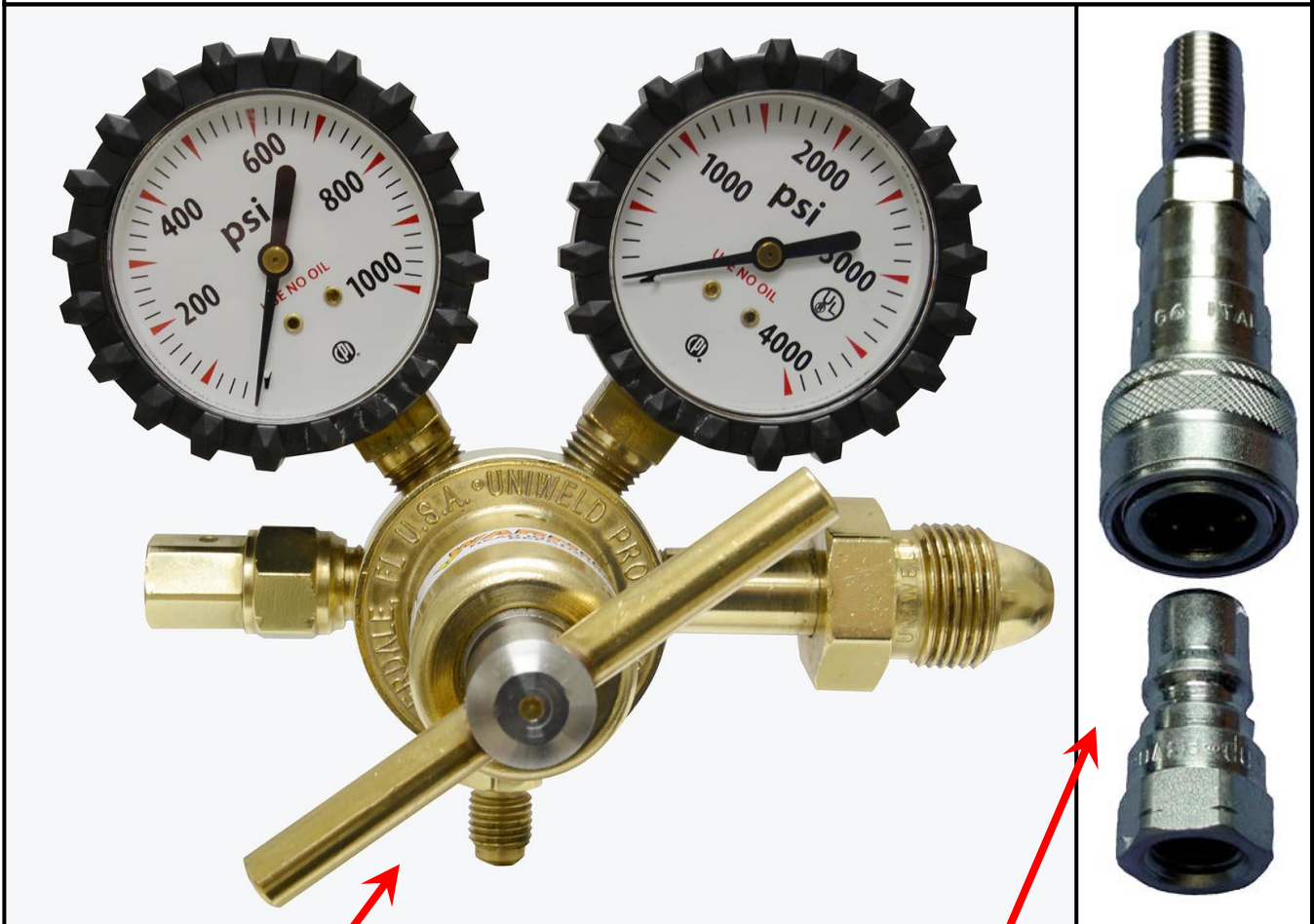
Nitrogen Regulator with Quick-Change Coupler Assembly

0-800 PSI Delivery Pressure – CGA580 Connection

PA-229

\$319.00 List

Shipping Wt.:



Nitrogen Regulator

(if purchased separately)

0-800 PSI Delivery Pressure

PC-287

\$269.00 List

Shipping Wt.:

Quick-Change Coupler Assy.

(if purchased separately)

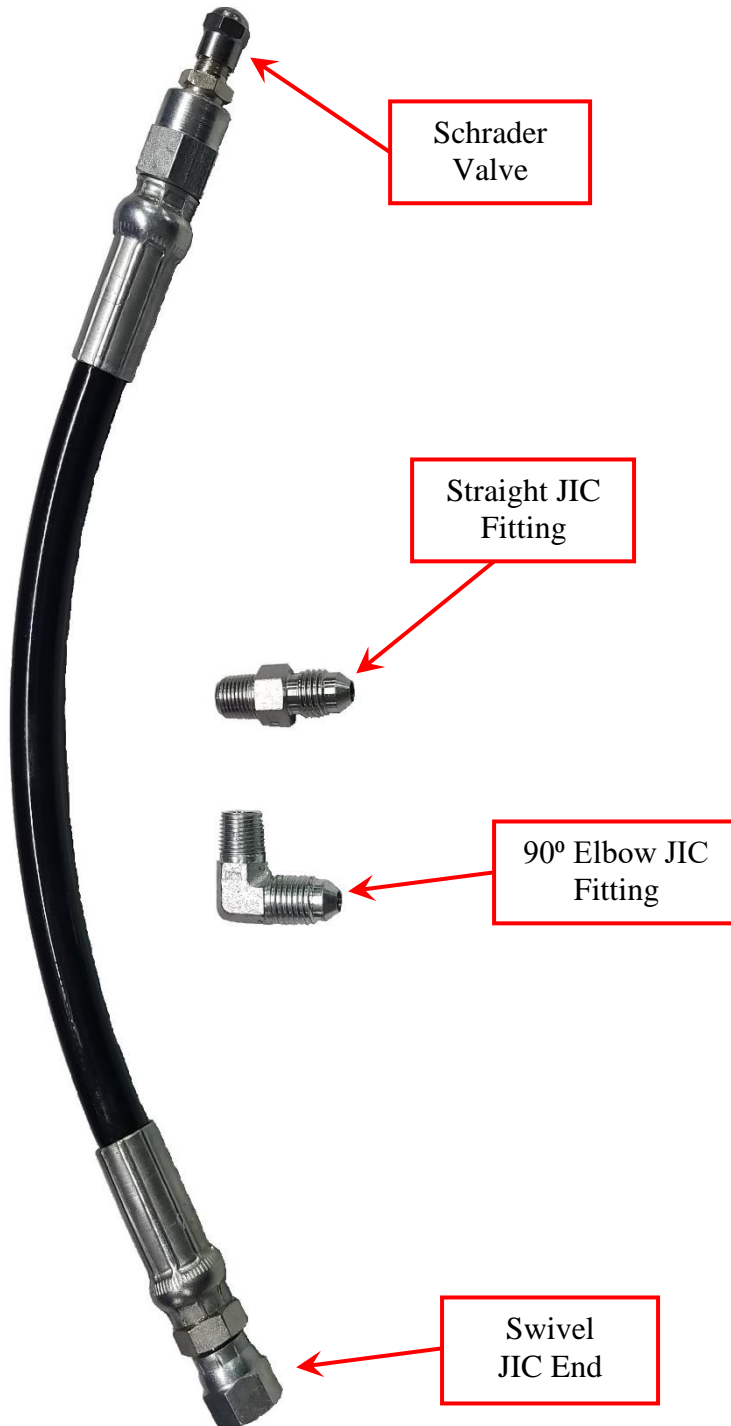
Male/Female Couplers & Stainless Nipple

PA-230

\$54.50 List

Shipping Wt.:

Fill Valve 12" Hose Extension PA-236



Relocate Schrader Valve for Easy Access

- *Remove Schrader fill valve.*
- *Install either of two provided fittings to the open 1/8 NPT fill valve port on your strut.*
- *Attach swivel end of hose to fitting. Do not overtighten!*
- *Secure hose loose end for easy access to your fill valve.*

PA-236
\$92.50 List
Includes All Items Shown

Field Service Kit for Gas Shocks

Contents

- (1) PA-162B Dual-Fill Kit 600 psi
- (1) Fitted Lift-Out Tray for Tools & Parts
- (4) Schrader Filler Valve Assemblies
- (2) Spherical Bearings
- (1) Valve Connector
- (1) Quick Change Coupler—High Pressure
- (1) 800 psi Nitrogen Regulator
- (1) 20 cu. ft. Nitrogen Cylinder (empty)
- (1) Calibrated Valve Core Torque Wrench
- (1) EZ-Fill Kit (add/remove oil syringe)
- (1) 7/16" Short Combination Wrench
- (1) 11/16" Short Combination Wrench
- (1) Stubby Slot Screwdriver - Proto
- (1) 10" Adjustable End Wrench - Proto
- (1) Teflon Tape Roll (1/2" x 520")
- (1) 6 ft. Stanley Measuring Tape (to set ride height)
- (1) Rugged Foam-Fitted Carry Case Water-Tight (Nema-6 Enclosure)
- (4) 1/2" High Misalignment Spacers
- (4) 5/8" Misalignment Spacers
- (1) 1L Bottle 5w Cartridge Fork Oil

PA-162A
 \$1,865.00 List
 Shipping Wt.: 48 lbs.



Upgrade & Repair Kits



STX Upgrade Kit

P/N by Stroke Length

\$168.00 List

Shipping Wt.: 3 lb. each

- 08" PA-004B
- 10" PA-004C
- 12" PA-004D
- 14" PA-004E
- 16" PA-004F
- 18" PA-004G
- 20" PA-004H

Factory Installed

Add \$88.00 for factory labor.

\$256.00 Parts & Labor

Add Shipping

STX Seal Kit

PA-001 (through 2019)

PA-001-2020 (2020+)

Includes: Seals, wear ring, O-rings, valve cores.

(oil sold separately)

\$89.00 List

Shipping Wt.: 2 lb.

STX Rebuild Kit

PA-002 (through 2019)

PA-002-2020 (2020+)

Includes: Seal Kit PA-001, plus bearings, springs, retaining rings, fill valves.

(oil sold separately)

\$130.00 List

Shipping Wt.: 2 lb.



Factory Labor Rates

(does not include parts)

ST or STX Strut Complete Rebuild	\$170.00
STX Strut with Integral or Remote Reservoir	\$245.00
STX Upgrade	\$88.00
STX Top End Rebuild	\$110.00
ST or STX Lower Mount/Rebound Rebuild	\$95.00
Hourly Rate	\$85.00

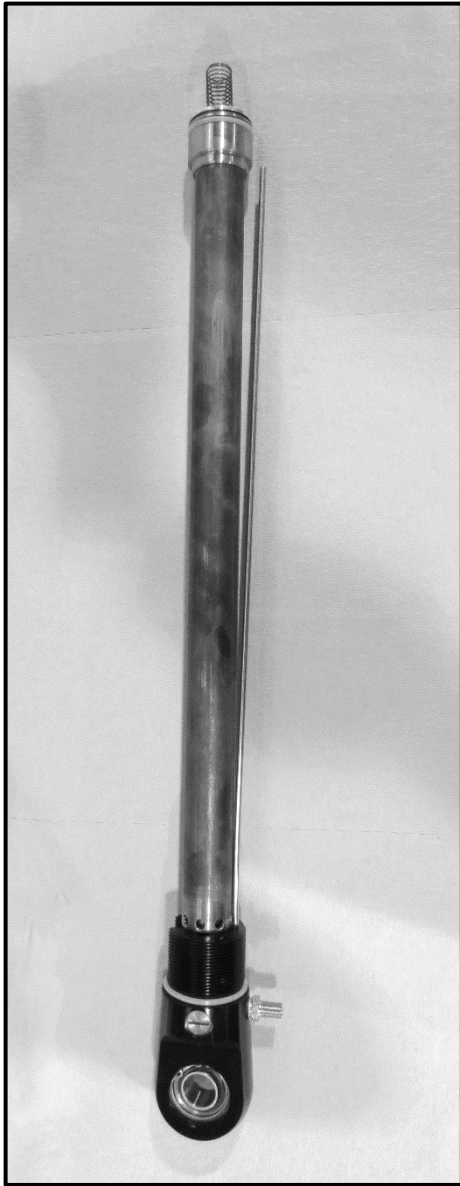
5w Oil SP-133

\$24.90 List

10w Oil SP-128

\$24.90 List





STX Lower Mount Rebound Assembly

Includes all parts to completely replace any STX lower mount rebound damping assembly. This upgrade provides much stronger, positive rebound response to tackle the wheel bounce and chassis bounce experienced with heavy axles and heavy sprung weight.

All STX struts shipped beginning January 2016 come with this upgrade.

Struts shipped prior to January 2013 will require machining modification to piston or new piston.

(Ships Assembled)

Part Number	Stroke	List	
PA-226B	8"	\$130	
PA-226C	10"	\$140	
PA-226D	12"	\$150	
PA-226E	14"	\$160	
PA-226F	16"	\$170	
PA-226G	18"	\$180	
PA-226H	20"	\$190	

\$89.00 labor plus shipping if sent to factory to install lower mount assembly kit to any STX model strut.



One bottle oil needed for each two struts. Oil is sold separately.

Tools



Piston Spanner Wrench
Installs and removes piston
1/2" Square Drive
TF-001
\$78.00 List Each



Nylon Strap Wrench
Grips lower cap for strut disassembly
TC-002
\$145.00 List Each



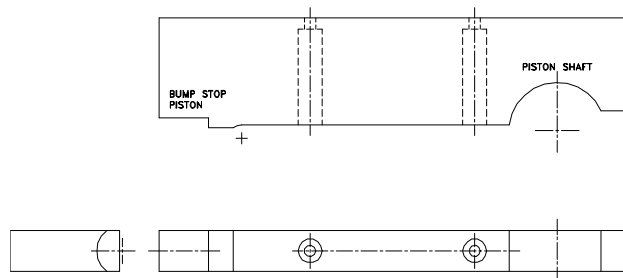
Retaining Ring Pliers
Proper fit for spherical bearing clips
TC-004
\$43.50 List Each



Rod Seal Installation Tool
TC-003
\$99.95 List Each



Aluminum Soft Jaws for 5" or 6" Vise
TF-005
\$85.00 List Each



Tools



Piston Seal Installation Tool

Makes installation of the lower piston seal easy and risk-free of damage.

Aluminum

TF-006

\$69.00 List Each



Black Plastic

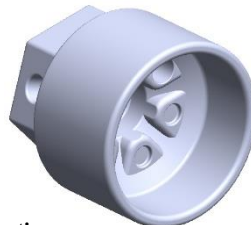
3D Printed Vise Soft Jaws

Securely clamps piston shaft, bump piston, lower cap. Fits Wilton 6" Vise.

6mm Screws, 90mm Spacing

TF-010

\$525.00 List Each



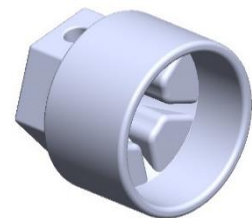
Black Plastic

3D Printed Blind Cap Socket

For installation/removal of integral and remote reservoir adjustment knob-end cap.

TF-011

\$275.00 List Each



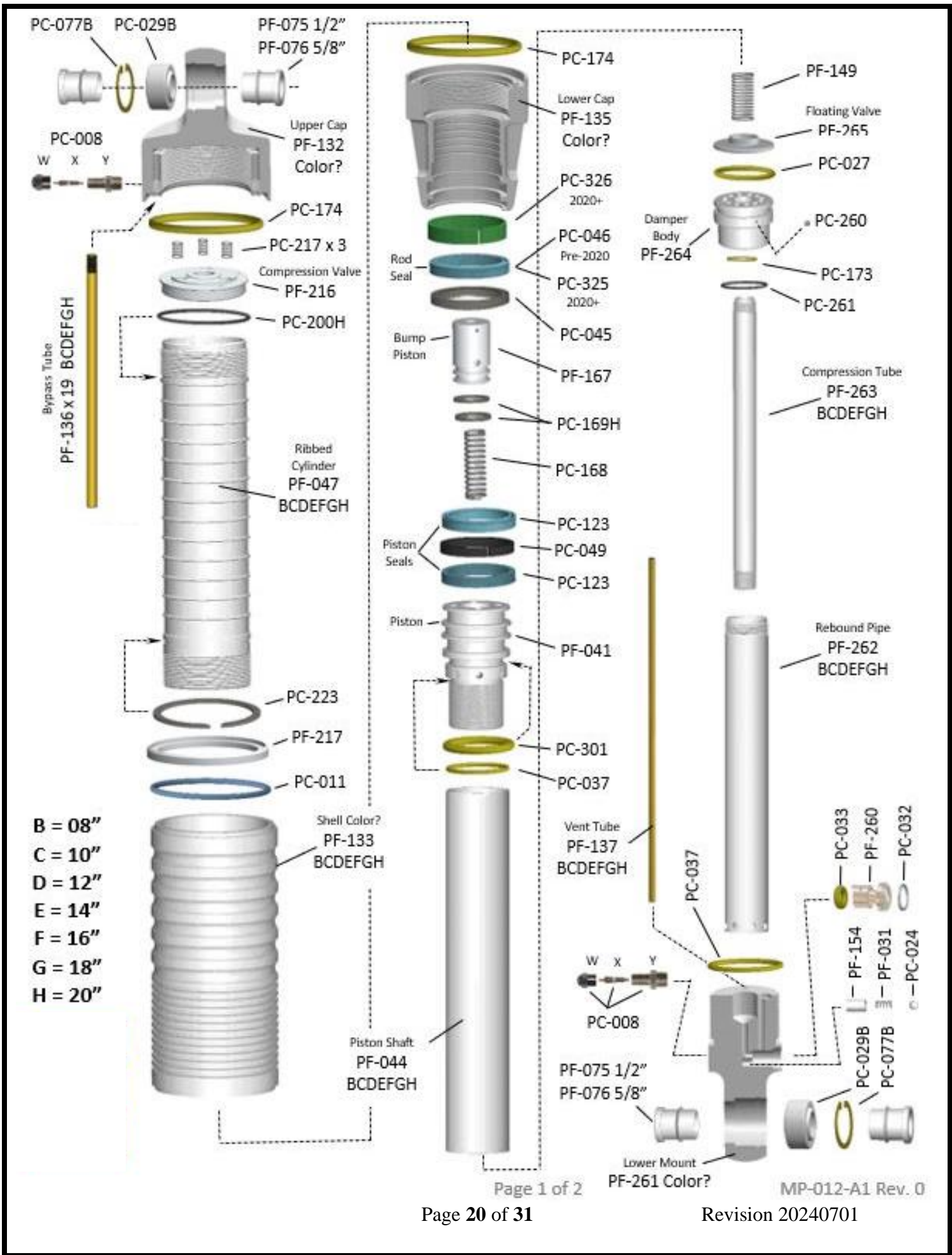
Black Plastic

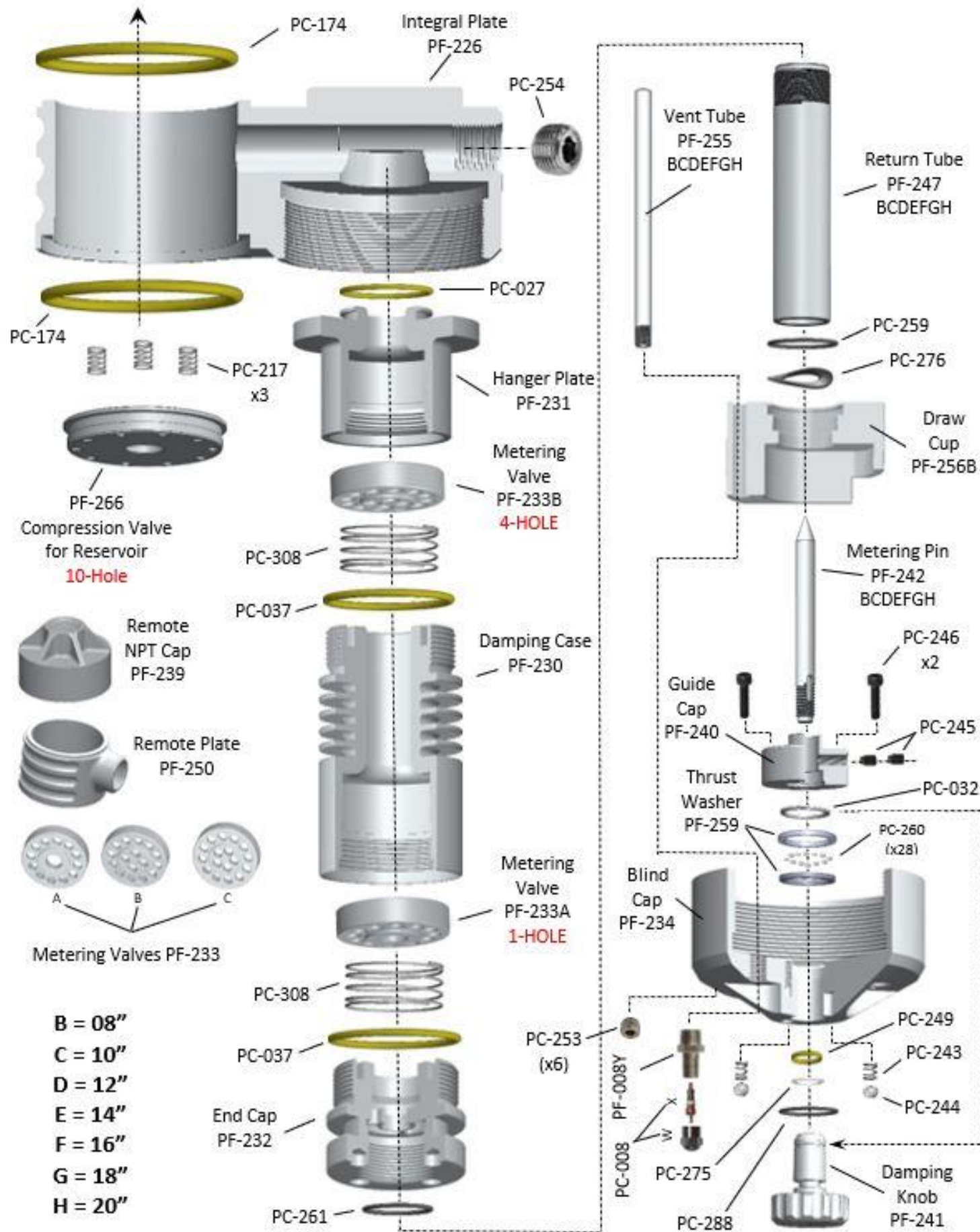
3D Printed NPT Cap Socket

For installation/removal of remote reservoir hose-end cap.

TF-012

\$275.00 List Each





STX Strut & Reservoir Parts (2016 & Newer)

Qty./Strut	PN	Description	List Price Each
2	PC-008	Filler Valve Assembly (includes parts W,X,Y)	\$6.05
2	PC-008W	Filler Valve Cap	\$0.95
2	PC-008X	Filler Valve Core	\$2.95
2	PC-008Y	Filler Valve Stem	\$2.15
1	PC-011	O-Ring, Lower Cap	\$3.90
1	PC-024	Steel Ball 1/8"	\$0.20
1	PC-027	O-Ring, Damper Body/Hanger Plate	\$3.69
2	PC-029B	Spherical bearing 5/8"	\$14.95
1 (1)	PC-032	Spiral Retaining Ring (1 also in reservoir assembly)	\$0.88
1	PC-033	O-Ring, Damper Screw	\$1.38
2	PC-037	O-Ring, Lower Mount/Piston/Reservoir (3 for 20" stroke)	\$3.39
1	PC-045	Wiper Seal	\$7.35
1	PC-046	Rod Seal Pre-2020	\$12.50
1	PC-049	Wear Ring, Piston	\$4.75
2	PC-077B	Retaining Ring, Spherical Bearing	\$0.50
2	PC-123	Piston Seal	\$9.95
1	PC-168	Spring, Bump Piston	\$1.55
2	PC-169H	Q-Ring Bump Piston	\$1.85
1	PC-173	O-Ring, Compression Tube	\$1.32
2	PC-174	O-Ring, Shell & Reservoir	\$4.95
-	PC-178A	Pressure Gauge, 600psi (for fill kit)	\$39.95
-	PC-178B	Pressure Gauge, 1000psi (for fill kit)	\$54.95
-	PC-179	Ball Valve 1/4 MNPT x 1/4 FNPT	\$15.80
-	PC-180	Ball Valve 1/8 MNPT x 1/8 FNPT	\$15.80
-	PC-197	Valve Connector (for fill kit)	\$29.95
1	PC-200H	O-Ring, Cylinder	\$0.80
3	PC-217	Spring, Compression Valve	\$1.20

Qty./Strut	PN	Description	List Price Each
1	PC-223	Retaining Ring, Cylinder	\$3.60
2	PC-243	Spring, Compression Detent	\$1.50
2	PC-244	Ball, 3/16" Compression Detent	\$1.50
2	PC-245	Set Screw 10-32 Dog Point (2 nd screw locks 1 st screw)	\$1.50
2	PC-246	Screw 8-32 x 5/8 SHCS	\$1.50
1	PC-249	O-Ring, Damping Knob Shaft	\$1.75
6	PC-253	Pipe Plug 1/8-27 NPT Stainless (one used in upper cap)	\$3.73
1	PC-254	Pipe Plug 1/2-14 NPT Stainless	\$6.75
1	PC-259	O-Ring, Reservoir Tube Extension	\$0.75
1 (28)	PC-260	Steel Ball 1/16" (28 used for reservoir thrust washers)	\$0.15
1	PC-261	O-Ring, Rebound Pipe	\$0.75
1	PC-275	Backup Ring-109 (PTFE Teflon)	\$0.45
1	PC-276	Wave Washer 5/8"	\$1.50
1	PC-288	O-Ring, Damping Knob Face (metric)	\$0.75
1	PC-301	O-Ring, Piston Bump Ring	\$3.95
2	PC-308	Spring, Metering Valve (Qty. 3 for 20" stroke)	\$2.15
1	PC-325	Rod Seal 2020+	\$12.50
1	PC-326	Wear Ring, Lower Cap	\$4.75
1	PF-008Y	Filler Valve Stem—Threaded for Reservoir Vent Tube	\$6.50
1	PF-031	Spring, Detent Cup	\$0.75
1	PF-041	Piston	\$48.95
1	PF-044B	Piston Shaft 08"	\$54.50
1	PF-044C	Piston Shaft 10"	\$57.50
1	PF-044D	Piston Shaft 12"	\$60.50
1	PF-044E	Piston Shaft 14"	\$63.50
1	PF-044F	Piston Shaft 16"	\$66.50
1	PF-044G	Piston Shaft 18"	\$69.50
1	PF-044H	Piston Shaft 20"	\$72.50
1	PF-047B	Cylinder 08"	\$54.50
1	PF-047C	Cylinder 10"	\$57.50

Qty./Strut	PN	Description	List Price Each
1	PF-047D	Cylinder 12"	\$60.50
1	PF-047E	Cylinder 14"	\$63.50
1	PF-047F	Cylinder 16"	\$66.50
1	PF-047G	Cylinder 18"	\$69.50
1	PF-047H	Cylinder 20"	\$72.50
4	PF-075	Misalignment Spacer 1/2" Bolt x 1.6" Wide	\$4.60
4	PF-076	Misalignment Spacer 5/8" Bolt x 1.6" Wide	\$4.60
1	PF-132	Upper Cap (specify color)	\$105.50
1	PF-133B	Shell 08" (specify color)	\$69.95
1	PF-133C	Shell 10" (specify color)	\$71.95
1	PF-133D	Shell 12" (specify color)	\$73.95
1	PF-133E	Shell 14" (specify color)	\$75.95
1	PF-133F	Shell 16" (specify color)	\$77.95
1	PF-133G	Shell 18" (specify color)	\$79.95
1	PF-133H	Shell 20" (specify color)	\$81.95
1	PF-135	Lower Cap (specify color)	\$95.50
19	PF-136B	Bypass Tube 08"	\$2.25
19	PF-136C	Bypass Tube 10"	\$2.50
19	PF-136D	Bypass Tube 12"	\$2.75
19	PF-136E	Bypass Tube 14"	\$3.00
19	PF-136F	Bypass Tube 16"	\$3.25
19	PF-136G	Bypass Tube 18"	\$3.50
19	PF-136H	Bypass Tube 20"	\$3.75
1	PF-137B	Vent Tube 08"	\$4.95
1	PF-137C	Vent Tube 10"	\$4.95
1	PF-137D	Vent Tube 12"	\$4.95
1	PF-137E	Vent Tube 14"	\$4.95
1	PF-137F	Vent Tube 16"	\$4.95
1	PF-137G	Vent Tube 18"	\$4.95
1	PF-137H	Vent Tube 20"	\$4.95

Qty./Strut	PN	Description	List Price Each
1	PF-149	Spring, Floating Valve	\$1.50
1	PF-154	Detent Cup	\$1.50
1	PF-167	Bump Piston	\$9.95
1	PF-216	Compression Valve 4-Hole	\$19.50
1	PF-217	Cylinder Flange	\$12.50
1	PF-226	Reservoir Plate Integral (specify color)	\$164.50
1	PF-230	Damping Case (Qty. 2 for 20" stroke)	\$43.50
1	PF-231	Hanger Plate	\$46.50
1	PF-232	Damping End Cap	\$48.95
1	PF-233A	Metering Valve 1-Hole	\$4.50
1	PF-233B	Metering Valve 4-Hole	\$4.50
1	PF-233C	Metering Valve 5-Hole (20" stroke only)	\$4.50
1	PF-234	Reservoir Blind Cap (specify color)	\$74.95
1	PF-235B	Reservoir Cylinder 08" (specify color)	\$79.00
1	PF-235C	Reservoir Cylinder 10" (specify color)	\$81.00
1	PF-235D	Reservoir Cylinder 12" (specify color)	\$83.00
1	PF-235E	Reservoir Cylinder 14" (specify color)	\$85.00
1	PF-235F	Reservoir Cylinder 16" (specify color)	\$87.00
1	PF-235G	Reservoir Cylinder 18" (specify color)	\$89.00
1	PF-235H	Reservoir Cylinder 20" (specify color)	\$91.00
1	PF-236B	Reservoir Shell 08" (specify color)	\$79.00
1	PF-236C	Reservoir Shell 10" (specify color)	\$81.00
1	PF-236D	Reservoir Shell 12" (specify color)	\$83.00
1	PF-236E	Reservoir Shell 14" (specify color)	\$85.00
1	PF-236F	Reservoir Shell 16" (specify color)	\$87.00
1	PF-236G	Reservoir Shell 18" (specify color)	\$89.00
1	PF-236H	Reservoir Shell 20" (specify color)	\$91.00
1	PF-239	Reservoir NPT Cap (remote reservoir only, specify color)	\$68.50
1	PF-240	Adjustment Guide Cap	\$9.50
1	PF-241	Compression Damping Knob	\$16.50






Qty./Strut	PN	Description	List Price Each
1	PF-242B	Compression Metering Pin 08"	\$4.50
1	PF-242C	Compression Metering Pin 10"	\$6.50
1	PF-242D	Compression Metering Pin 12"	\$8.50
1	PF-242E	Compression Metering Pin 14"	\$10.50
1	PF-242F	Compression Metering Pin 16"	\$12.50
1	PF-242G	Compression Metering Pin 18"	\$14.50
1	PF-242H	Compression Metering Pin 20"	\$16.50
1	PF-247B	Reservoir Return Tube 08"	\$4.50
1	PF-247C	Reservoir Return Tube 10"	\$5.50
1	PF-247D	Reservoir Return Tube 12"	\$6.50
1	PF-247E	Reservoir Return Tube 14"	\$7.50
1	PF-247F	Reservoir Return Tube 16"	\$8.50
1	PF-247G	Reservoir Return Tube 18"	\$9.50
1	PF-247H	Reservoir Return Tube 20"	\$10.50
1	PF-250	Reservoir Plate Remote (remote reservoir, specify color)	\$105.50
1	PF-255B	Vent Tube Reservoir 08"	\$5.50
1	PF-255C	Vent Tube Reservoir 10"	\$5.50
1	PF-255D	Vent Tube Reservoir 12"	\$5.50
1	PF-255E	Vent Tube Reservoir 14"	\$5.50
1	PF-255F	Vent Tube Reservoir 16"	\$5.50
1	PF-255G	Vent Tube Reservoir 18"	\$5.50
1	PF-255H	Vent Tube Reservoir 20"	\$5.50
1	PF-256B	Draw Cup	\$23.50
2	PF-259	Thrust Washer (concave sides toward PC-260 balls)	\$3.25
1	PF-260	Damper Screw	\$18.50
1	PF-261	Lower Mount (specify color)	\$48.50
1	PF-262B	Rebound Pipe 08"	\$14.50
1	PF-262C	Rebound Pipe 10"	\$16.50
1	PF-262D	Rebound Pipe 12"	\$18.50
1	PF-262E	Rebound Pipe 14"	\$20.50

Qty./Strut	PN	Description	List Price Each
1	PF-262F	Rebound Pipe 16"	\$22.50
1	PF-262G	Rebound Pipe 18"	\$24.50
1	PF-262H	Rebound Pipe 20"	\$26.50
1	PF-263B	Compression Tube 08"	\$15.00
1	PF-263C	Compression Tube 10"	\$16.00
1	PF-263D	Compression Tube 12"	\$17.00
1	PF-263E	Compression Tube 14"	\$18.00
1	PF-263F	Compression Tube 16"	\$19.00
1	PF-263G	Compression Tube 18"	\$20.00
1	PF-263H	Compression Tube 20"	\$21.00
1	PF-264	Damper Body	\$39.50
1	PF-265	Floating Valve	\$5.50
1	PF-266	Compression Valve for Reservoir 10-Hole	\$19.50

Tools

Part No.	Description	List Price Each
TF-001	Piston Spanner Wrench	\$78.00
TC-002	Nylon Strap Wrench	\$145.00
TC-003	Rod Seal Installation Tool	\$99.95
TC-004	Retaining Ring Pliers	\$43.50
TF-005	Aluminum Soft Jaws	\$85.00
TF-006	Piston Seal Installation Tool (<i>lower piston seal</i>)	\$89.00
TF-010	6" Vise Jaws for Lower Cap	\$475.00
TF-011	Socket—Resv. Blind Cap	\$275.00
TF-012	Socket—Resv. NPT Cap	\$275.00

Promotional Items

Part Number	Description	Price Each
	AD-Logo6 AD-Logo10A 6" Oval Sticker "ORI Struts" 10" Oval Sticker "ORI Struts"	\$1.25 \$2.00
	AD-STX Brochure Tri-fold brochure of STX strut	\$0.25
	ORI Struts Banner with Black Background 24" x 72"	\$46.95
	ORI Struts Banner 42" x 78"	\$66.95
	AD-T-Shirt-A Available in Gray, Blue Specify S—M—L—XL—2XL Graphic on Front	\$14.95

AD-T-Shirt-B

Available in Red, Green, Blue
Specify S—M—L—XL—2XL
ORI Struts on Front, Graphic on Back

\$14.95



Part Number

Description

Price Each

AD-Hoodie Black

Black Hoodie
M—L—XL—2XL—3XL
Front: "ORI Struts"
Back: Graphic

\$49.95



